

PARTS CATALOG

Model ELIT3500K

MACHINE BODY

CRANKCASE,
CAMSHAFT ,

CRANK SHAFT ,

RECOIL STARTER ,
CARBURETOR ASSY ,

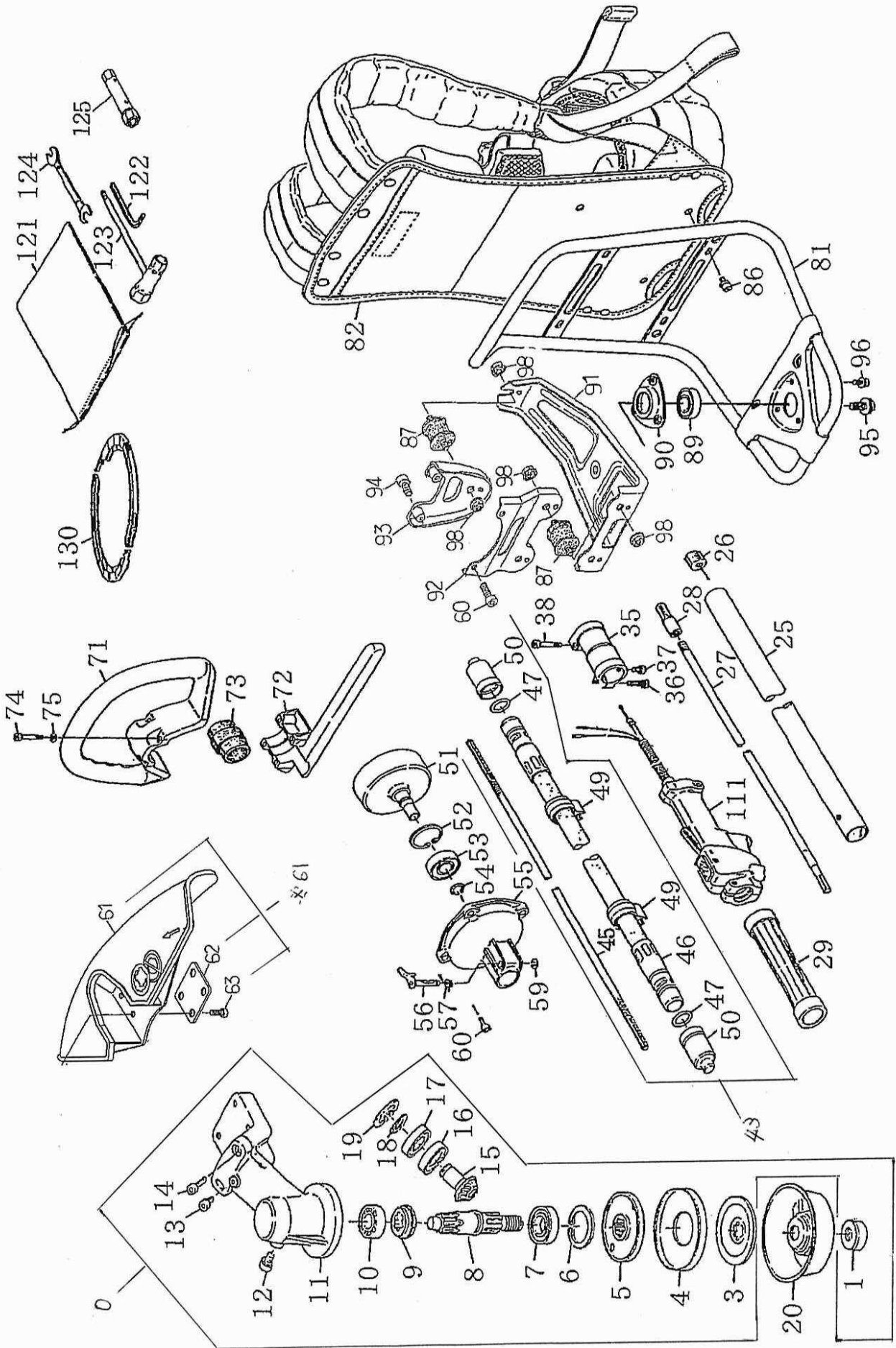
AIR CLEANER ASSY ,
MUFFLER EXHAUST ,

TANK FUEL ,

FLYWHEEL&COIL ,

COVER CYLINDER ,

ELIT3500K



ELIT3500K

1.MACHINE BODY

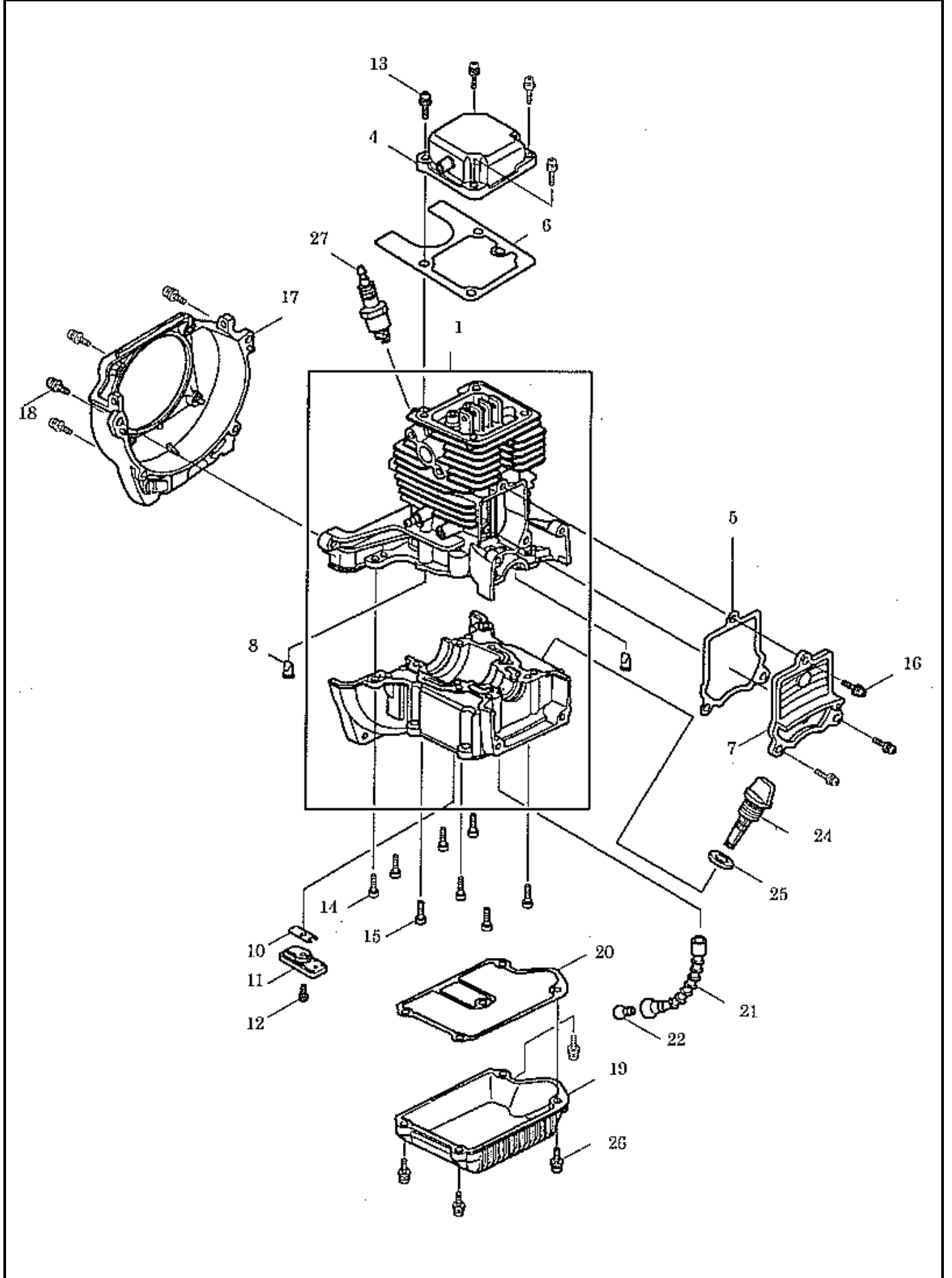
KEY NO.	PART NO	DESCRIPTION	Q'TY	REMARKS
0	177930010	GEAR CASE ASSY	1	1~19
1	174932210	NUT HEX	1	10mm
3	177831300	BLADE CAP	1	
4	108031200	GRASS COVER (B)	1	
5	100531111	BLADE HOLDER	1	
6	045002800	SNAP RING	1	
7	035600103	BALL BEARING	1	#6001LL
8	175030300	GEAR SHAFT	1	
9	140030200	GEAR	1	
10	035600000	BALL BEARING	1	
11	108230120	GEAR CASE	1	
12	065060800	TORX BOLT	1	M6*8
13	065051000	TORX BOLT	1	M5*10
14	065052000	TORX SCREW	2	M5*20
15	140030400	PINION	1	
16	035600000	BALL BEARING	1	
17	035600001	BALL BEARING	1	
18	045001002	SNAP RING (S-10)	1	
19	045002600	SNAP RING (R-26)	1	
20	177831400	NUT COVER	1	
25	102120100	MAIN PIPE COMPL	1	
26	122091211	BUSHING METAL COMPL	8	
27	102121100	DRIVE SHAFT	1	
28	102121200	SHAFT JOINT	1	
29	178724000	COLLAR	1	
35	102119100	CASE JOINT	1	
36	065052000	TORX SCREW	1	M5*20
37	065050810	TORX M5*8 SMALL HEAD	1	
38	065053020	TORX SCREW	1	M5*30
43	103418000	FLEXIBLE SHAFT / LINER ASSY	1	45~50
45	174718500	FLEXIBLE SHAFT	1	
46.47	103418100	FLEXIBLE LINER COMPL	1 SET	
49	102118400	CORD STAY	2	
50	182420300	LINER CAP	2	
51	103311100	CLUTCH DRUM	1	
52	045003500	SNAP RING (R-35)	1	
53	035620202	BALL BEARING	1	6202ZZ
54	045001502	SNAP RING S-15	1	

ELIT3500K

KEY NO.	PART NO	DESCRIPTION		Q'TY	REMARKS
55	103310100	CLUTCH HOUSING		1	
56	164619300	JOINT PIN COMPL		1	
57	164619600	PIN SPRING		1	
59	045000505	SNAP RING (E-5)		1	
60	065061800	TORX SCREW		4	M6*18
*61	102045000	GUARD ASSY		1 SET	61~63
61	102045100	GUARD		1	
62	115043300	PLATE		1	
63	065052000	TROX SCREW		4	M5*20
71	173148200	LOOP HANDLE		1	
72	174048410	LOOP HANDLE HOLDER		1	
73	173248500	HANDLE RUBBER		1	
74	065053000	TORX SCREW		4	M5*30
75	031050001	PLAIN WASHER 5		4	
81	103415900	FRAME		4	
82	175317010	PAD / BAND COMPL		1	
86	085051209	CS(3)		4	M5*12
87	119115000	AVRUBBER		3	
89	035620102	BALL BEARING		1	#6201ZZ
90	164615811	BEARING COVER		1	
91	106746100	ENGINE STAY		1	
92	106746500	HOUSING STAY		1	
93	106746600	RECOIL STAY		1	
94	065052500	TORX SCREW		2	M5*25
95	014082000	BOLT (3)		1	M8*20
96	085051209	CS(3)		3	M5*12
98	030061400	F-NUT		6	M6
111	099819600	THROTTLE LEVER ASSY		1	
112	060000019	TOOL BAG (BLUE)		1	
122	060040000	ALLEN WRENCH		1	4mm
123	060000015	COM. WRENCH, TORX DRIVER		1	13*19
124	302040600	SPANNER		1	8*10
125	060000026	PLUG SOCKET		1	16*19
130	186055010	BLADE COVER		1	

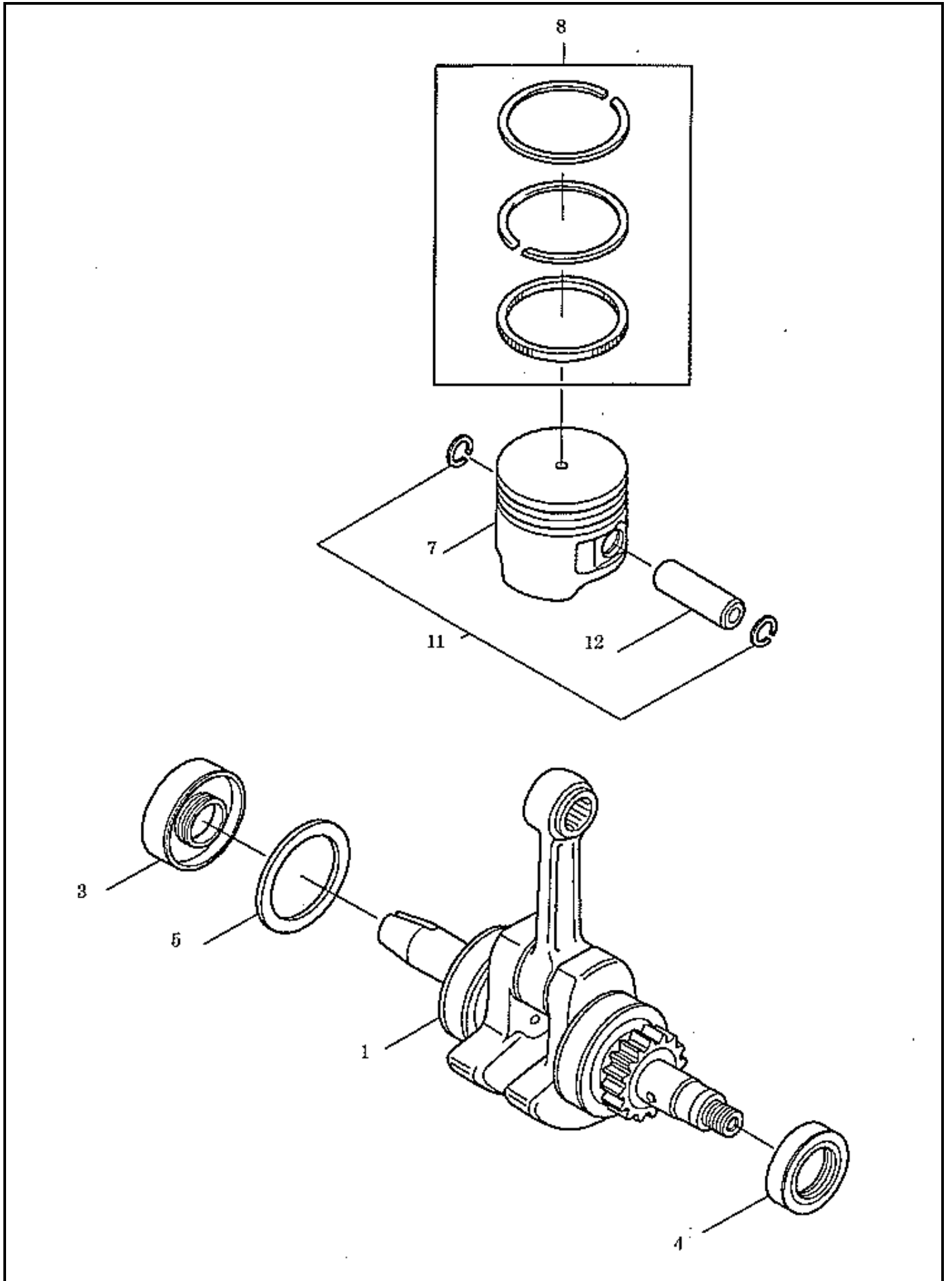
ELIT3500K

2.CRANK CASE



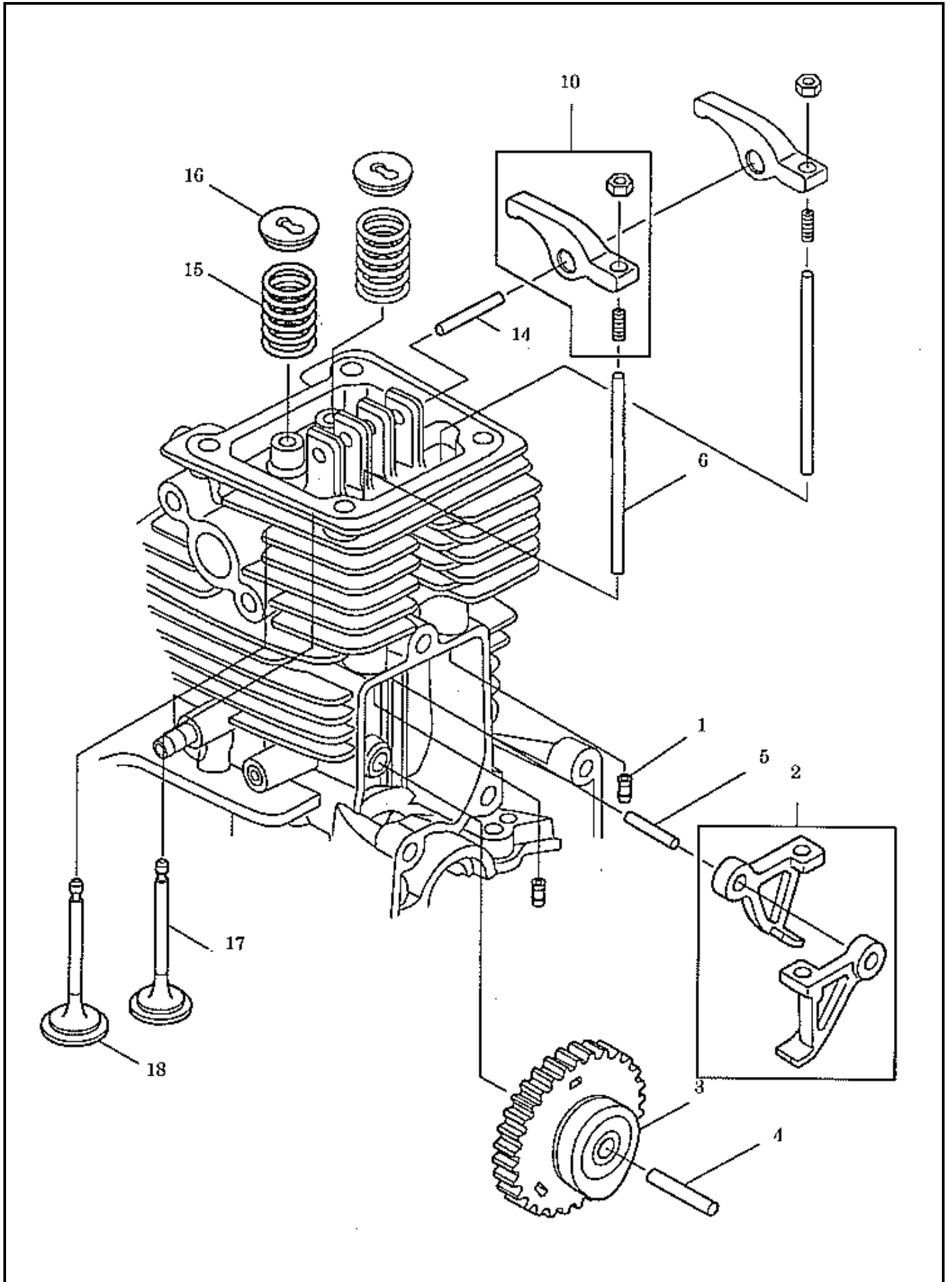
ELIT3500K

3. CRANK SHAFT



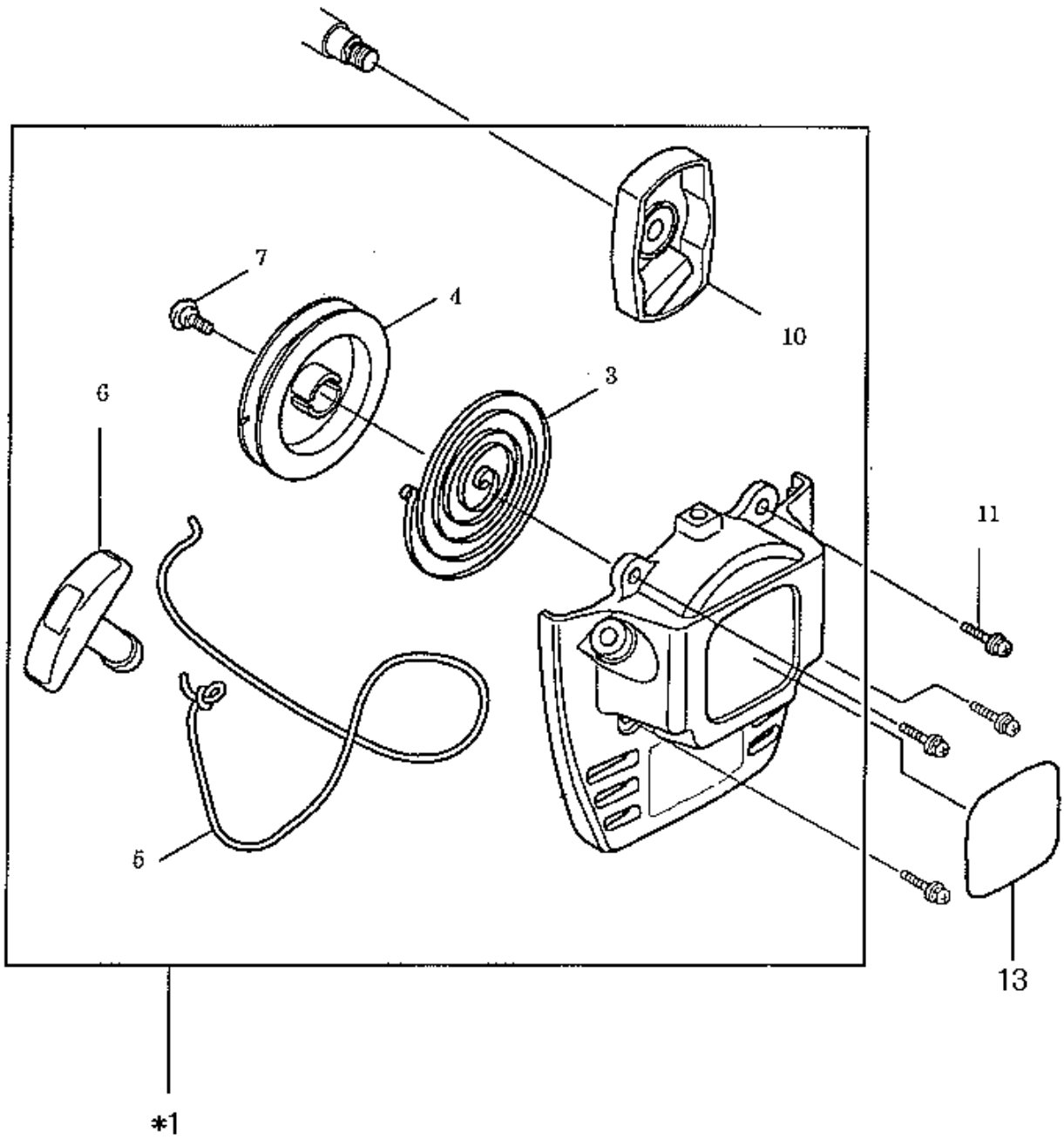
ELIT3500K

4.CAM SHAFT



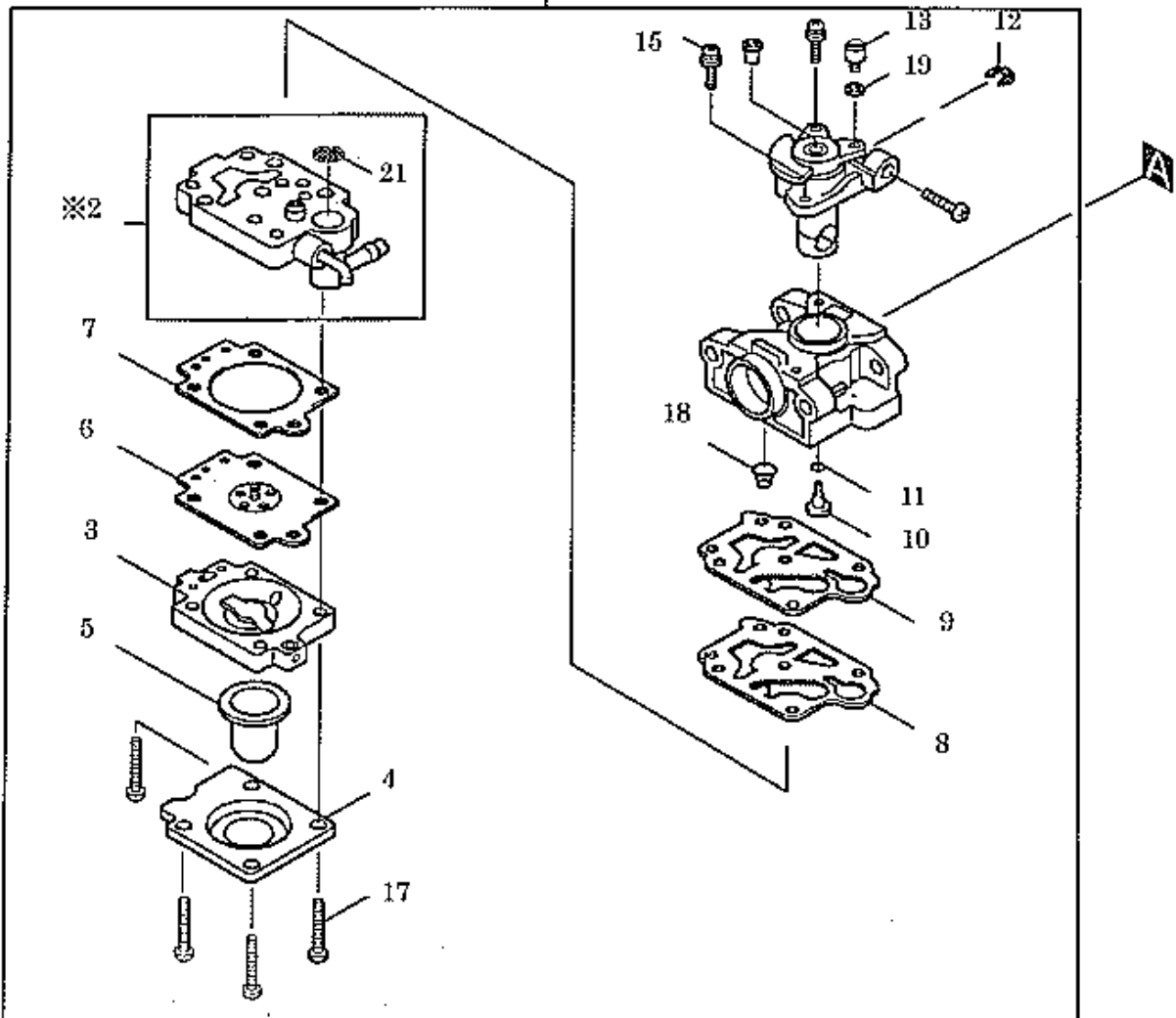
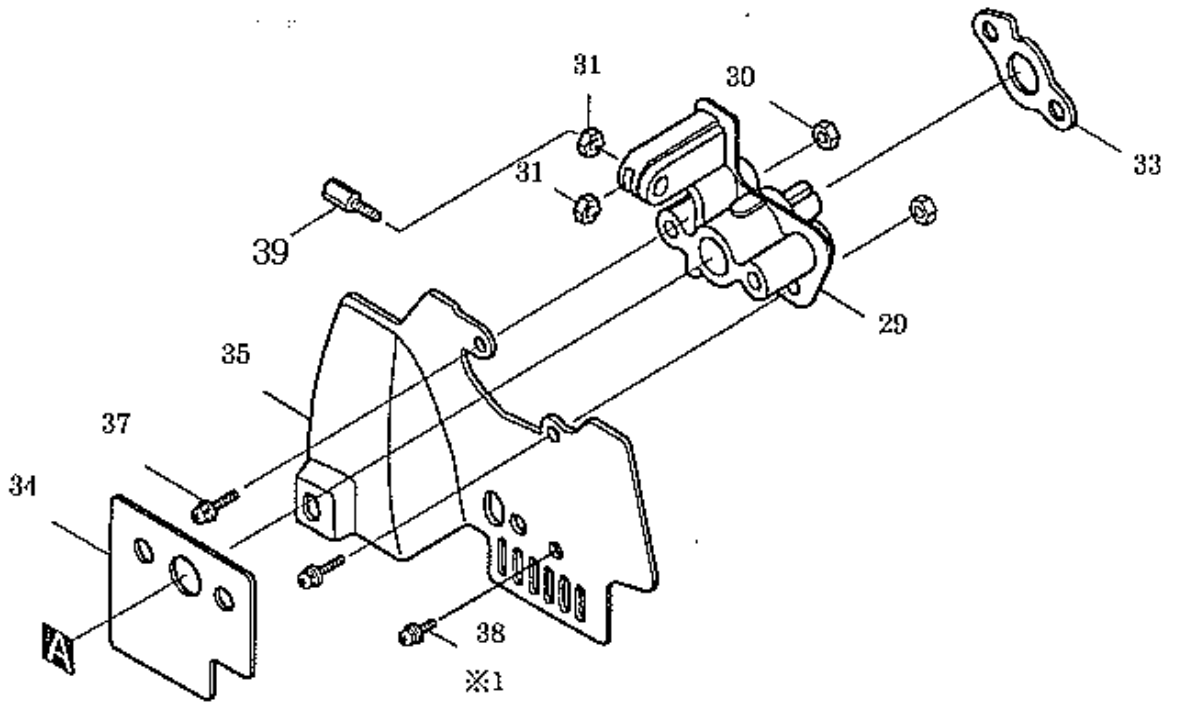
ELIT3500K

5.RECOIL STARTER



ELIT3500K

6. CARBURETOR



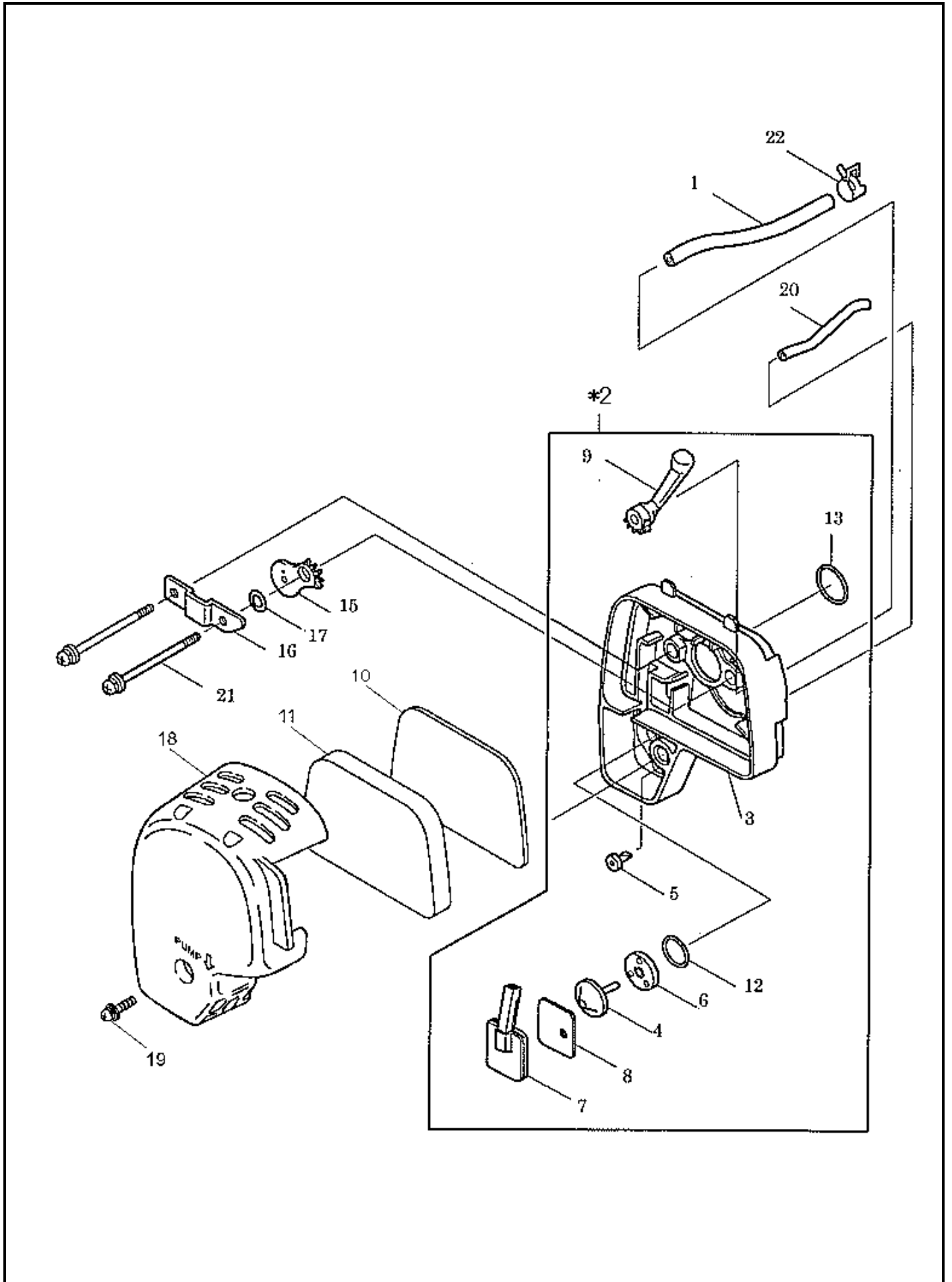
ELIT3500K

6.CARBURETOR

KEY NO.	PART NO.	DESCRIPTION	Q'TY	REMARKS
*1	5936004000	CARBURETOR	1	incl. 2 to 19
*2	5926002060	BODY ASSEMBLY-PUMP	1	incl. 21
3	5236046140	BODY ASSEMBLY-AIR PURGE	1	
4	5236046050	COVER-PRIMER PUMP	1	
5	5246001150	PUMP-PRIMER	1	
6	5926008010	DIAPHRAGM ASSY-METERING	1	
7	5236046040	GASKET-METERING DIAPHRAGM	1	
8	5246001040	DIAPHRAGM-PUMP	1	
9	5926002040	GASKET-PUMP	1	
10	5936002010	JET	1	#39.0
11	5246001010	RING-"O"	1	
12	5316005120	RING-SPRING RETAINING	1	
13	5236018040	SWIVEL	1	
15	5206008030	SCREW-THROTTLE COLLAR	2	
17	5236046010	SCREW-PUMP COVER	4	
18	5926002020	SPRING-PUMP	1	
19	5426005030	WASHER	1	
21	5016004010	SCREEN-INLET	1	
29	5923005001	INSULATOR COMPL	1	incl.30&31(1pcs)
30	0170059980	NUT	2	M5
31	0022706000	NUT	2	M6
33	5923501801	GASKET,INSULATOR	1	
34	5923501900	GASKET,CARBURETOR	1	
35	5933500600	INSULATOR,CARBURETOR	1	
37	0043605180	SCREW ASSEMBLY	2	M5×18 W,SW
38	0140059370	SCREW ASSEMBLY	1	M5×12 W,SW
39	0149069972	ADJUST SCREW	1	

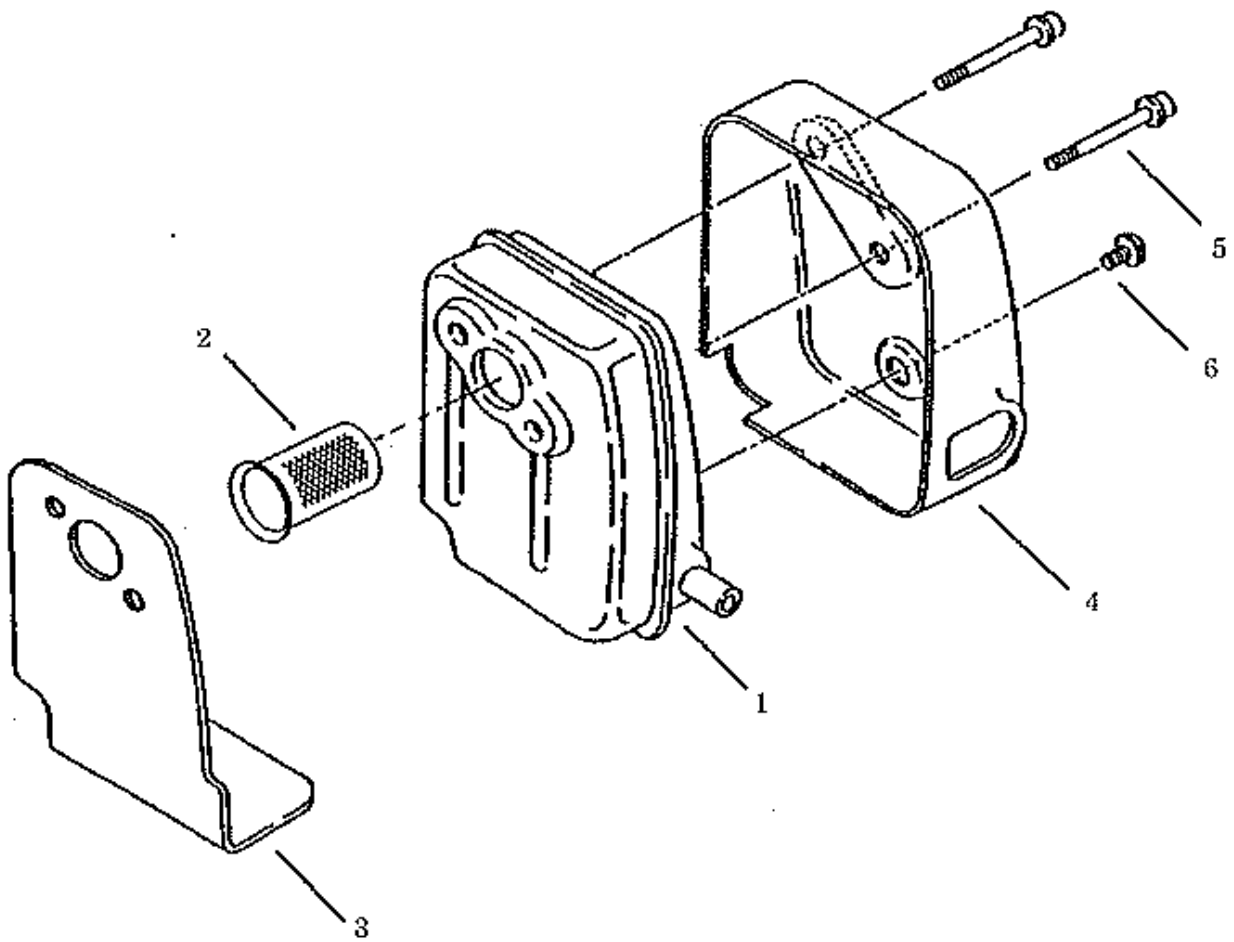
ELIT3500K

7.AIR CLEANER



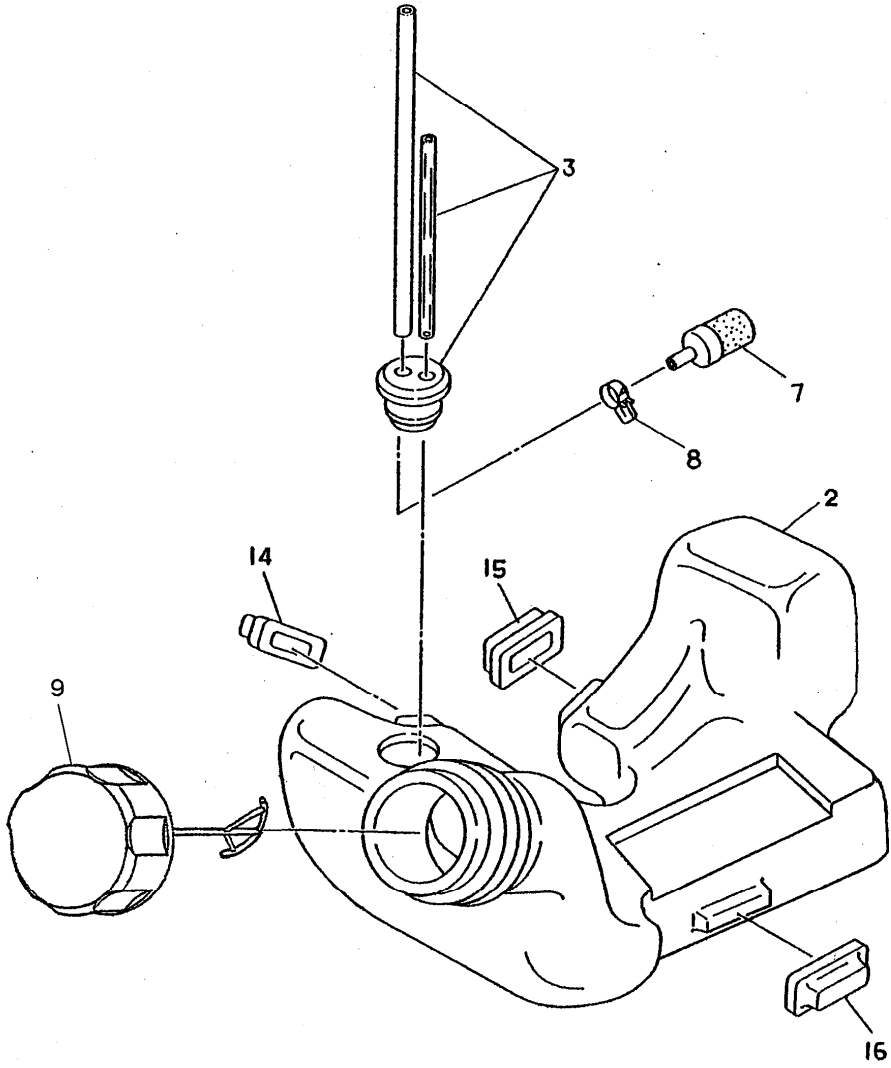
ELIT3500K

8.MUFFLER EXHAUST



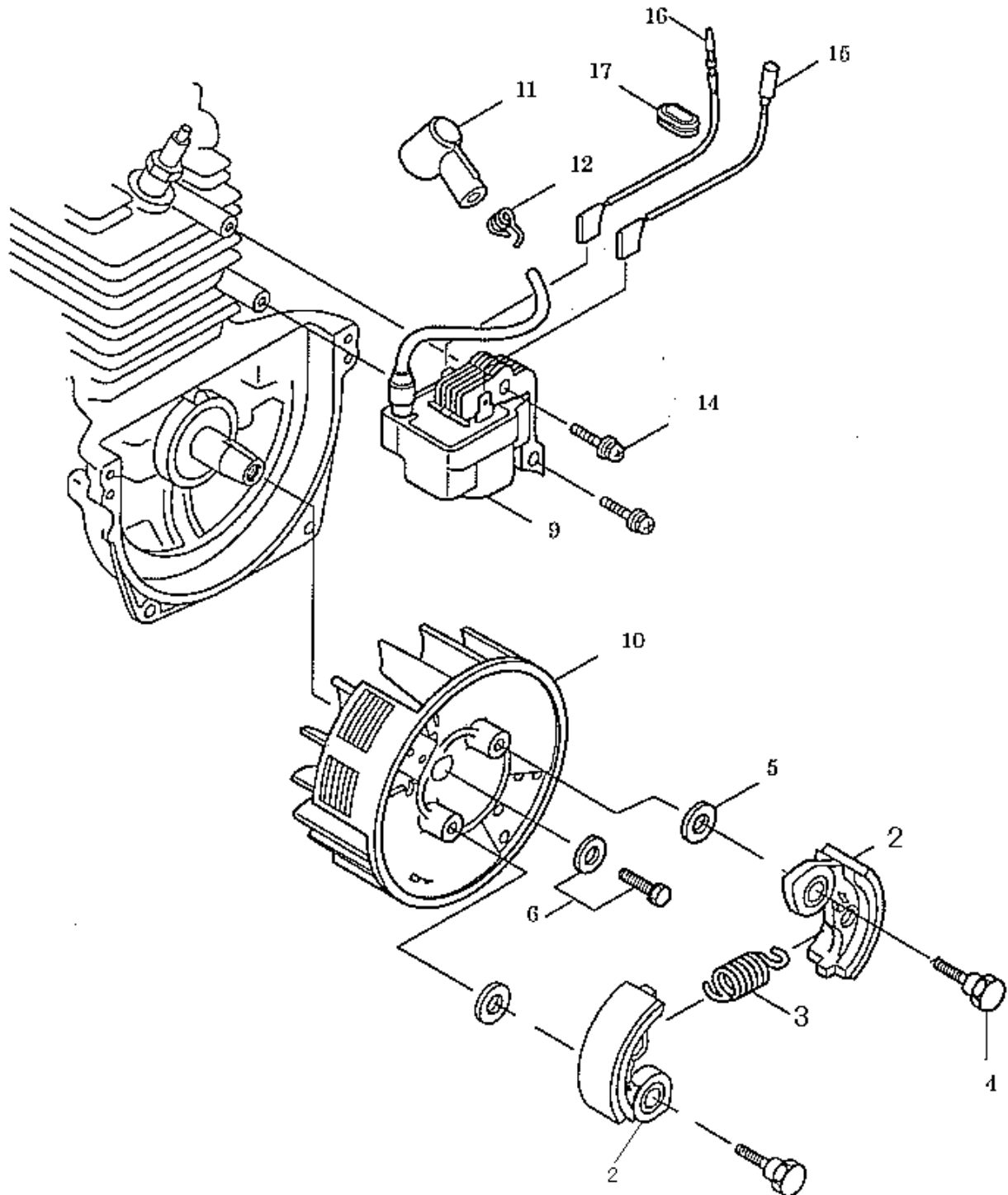
ELIT3500K

9.TANK FUEL



ELIT3500K

10.FLYWHEEL&COIL



ELIT3500K

11. COVER CYLINDER

